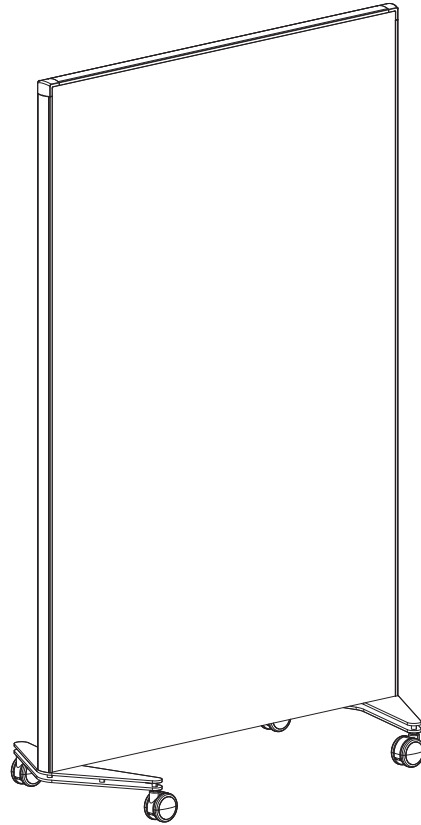
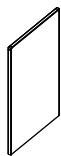


INSTALLATION INSTRUCTIONS

**OBI 2.0**



**INSTALLATION HARDWARE**



**PANEL**  
QUANTITY: 1U



**UPPER FOOT**  
QUANTITY: 2U



**LOWER FOOT**  
QUANTITY: 2U



**CASTER**  
QUANTITY: 4U



**BOLT**  
QUANTITY: 10U + 1 EXTRA

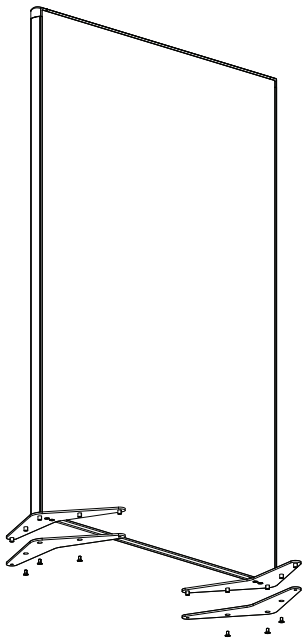
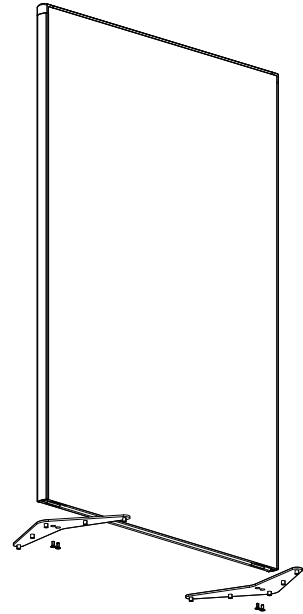
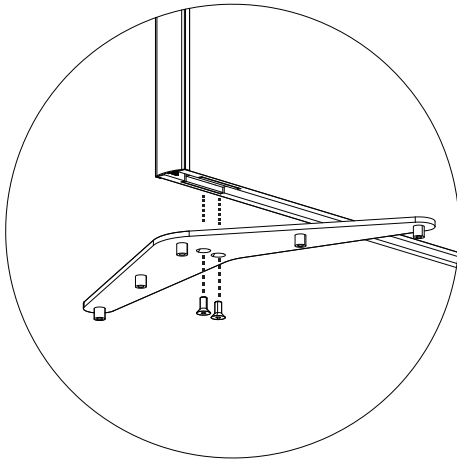
\*Images reflect typical hardware options. Please refer to packing list for items & quantities specific to your order

**RECOMMENDED TOOLS**  
Allen Key Set - Adjustable Wrench

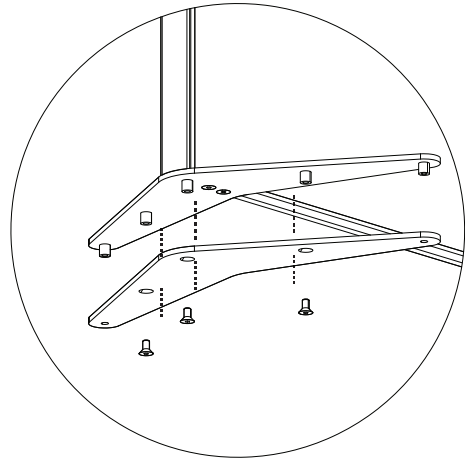
## INSTALLATION INSTRUCTIONS

# OBI 2.0

- 1** Assemble the UPPER FOOT onto the panel with 2 bolts on each side.



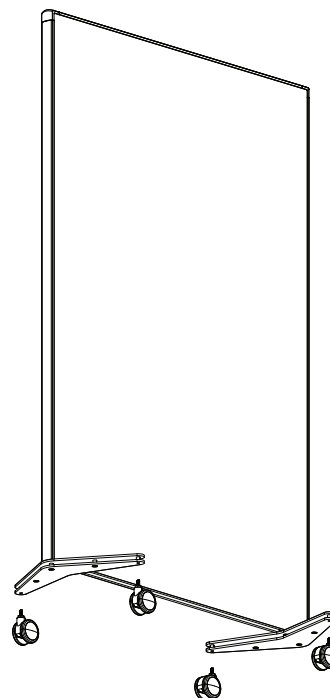
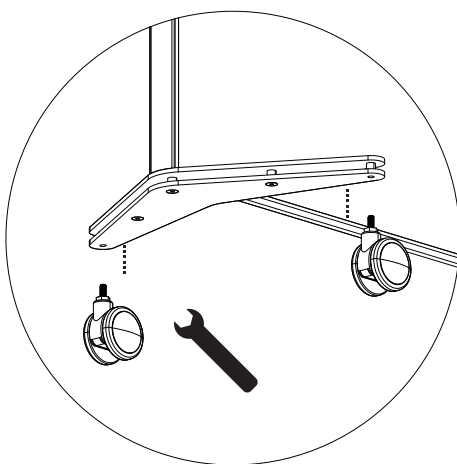
- 2** Assemble the LOWER FOOT onto the UPPER FOOT with 3 bolts on each side.



INSTALLATION INSTRUCTIONS

**OBI 2.0**

- 3** Screw the casters onto the feet.

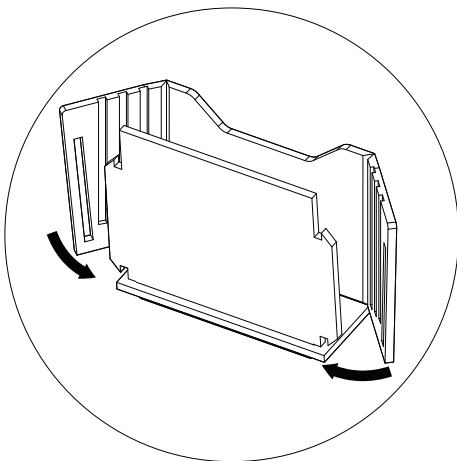
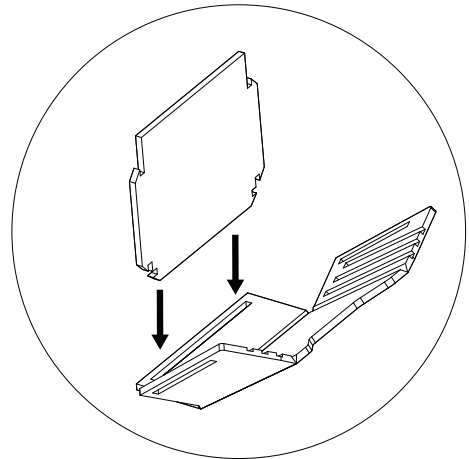


INSTALLATION INSTRUCTIONS

**OBI 2.0** ACCESSORIES

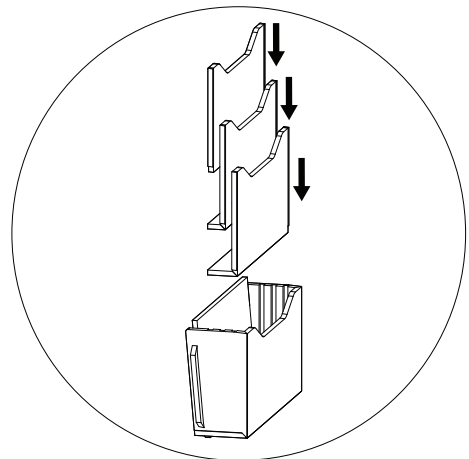
**FILE HOLDER SLOTTED**

- 1 Insert the back into the slot of the lower face of the file holder



- 2 Fold the side faces.

- 3 Insert the three dividers following the correct order into the file holder.

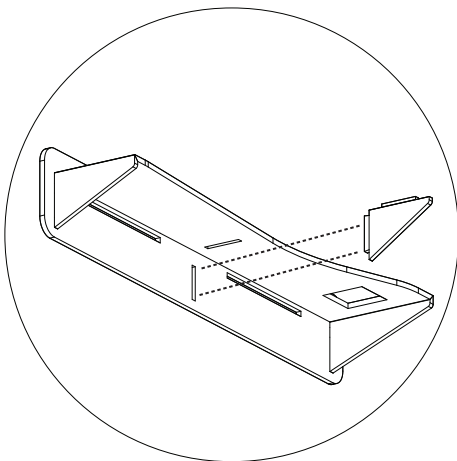
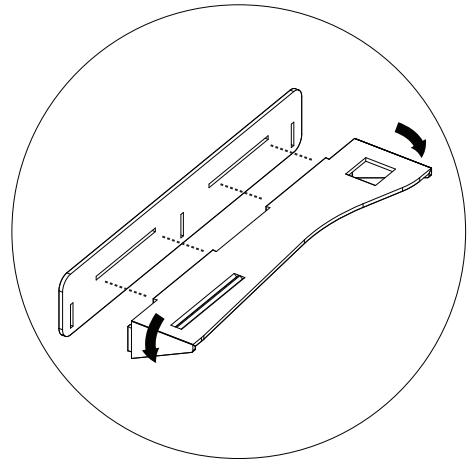


INSTALLATION INSTRUCTIONS

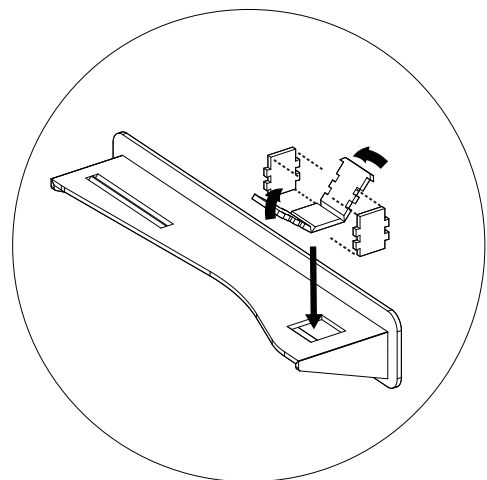
**OBI 2.0** ACCESSORIES

SHELF

- 1 Fold down the extremes of the shelf and insert the piece to the backer.



- 2 Insert the supporting bracket into the slot beneath the shelf



- 3 Fold up the side faces of the pencil holder. Join the tabs of the side faces with pressure and insert it into the square cavity of the shelf.

## UNITED STATES

---

### **Ayrsonics Mid West LLC**

170 Prairie Lake Rd  
East Dundee, IL 60118  
P: 1-800-517-0686  
sales@mw.ayrsonics.com

### **Ayrsonics Southwest LLC**

8934 Eton Ave  
Canoga Park, CA 91304  
213-833-9700  
sales@sw.ayrsonics.com

### **Ayrsonics New England LLC**

32 Hampshire Rd  
Salem, NH 03079  
P: 603-824-9338 ext. 3001  
P: 603-327-4349  
sales@ne.ayrsonics.com

## CANADA

---

### **Ayrsonics Inc - Ontario**

825 Trillium Drive  
Kitchener, Ontario N2R 1J9  
P: 1-844-441-1122  
sales@ayrsonics.com

### **Ayrsonics Inc - Alberta**

#9112 – 52nd St. S.E.  
Calgary, Alberta T2C 5A9  
P: 1-844-441-1122  
sales@ayrsonics.com

### **EzoBord Corporate Office**

6845 Rexwood Road,  
Unit 7 Mississauga,  
ON L4V 1S5 Canada  
+1 416 665 3571  
info@ezobord.com

## CENTRAL & LATIN AMERICA

---

### **EzoBord Costa Rica SRL**

100 Sur 25 Oeste Recope  
Bodega #18 Ochomogo, Cartago  
+506 8842 4613  
info-latam@ezobord.com

### **EzoBord - LATAM**

Buenos Aires, Argentina  
+54 9 11 5657 1793  
info-latam@ezobord.com

## UNITED KINGDOM

### **EzoBord UK Ltd**

Unit 20 Westwood Business Park  
Margate, Kent. CT9 4JJ  
+44 1843 264027  
sales@ezobord.co.uk

## IRELAND

### **EzoBord Ireland**

Unit 523, Greenogue Business Park  
Rathcoole, Co. Dublin D24 RY89  
+353 (0)1 443 3599  
sales@ezobord.ie

FOLLOW US

